

Extended Body Double-Check Filler Valves for Under Ground Storage Tanks

UF7579CT

Application

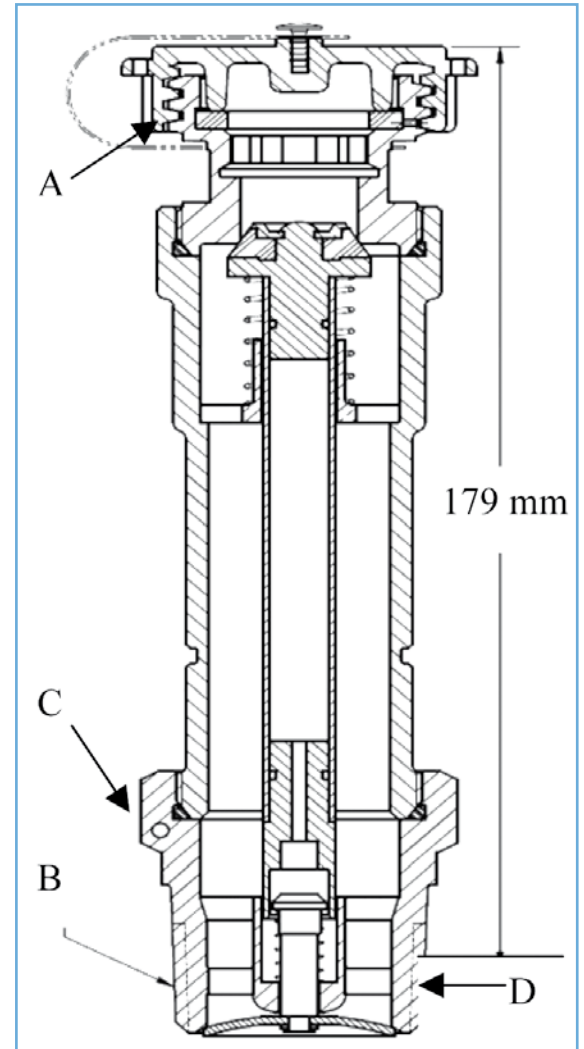
This valve is designed for fast filling of underground stationary storage containers.

Features

- Extended upper body for easy access when filling underground containers.
- Double back checks provide added system protection.
- Upper valve assembly can be repaired without removing the valve from the container.
- Both upper and lower checks are spring actuated for quick closure when flow into the valve stops.

Materials

| | |
|----------------------|------------------|
| Body | Brass |
| Extension | Brass |
| Washer and Seat Disc | Synthetic Rubber |
| Cap | Plastic |
| Springs | Stainless Steel |



Ordering Information

| Part Number | A ACME Hose Connection | B Tank Con- nection MNPT | C Wrench Hex Flats | D Effective Threads | Propane Liquid Capacity at Various Differential Pressures (LPM) | | |
|------------------------------|------------------------------|-----------------------------------|--------------------------|---------------------------|--|---------|-------|
| | | | | | 1.7 bar | 3.5 bar | 5 bar |
| Cap with Lanyard UF7579CT | 44.45mm (1-3/4") | 31.75mm (1-1/4") | 47.62mm (1-7/8") | 68.26mm (2-11/16") | 420 | 590 | 725 |

10/1/2007