

Double-Check Filler Valves for Storage Tanks

FI7579CT Series

Application

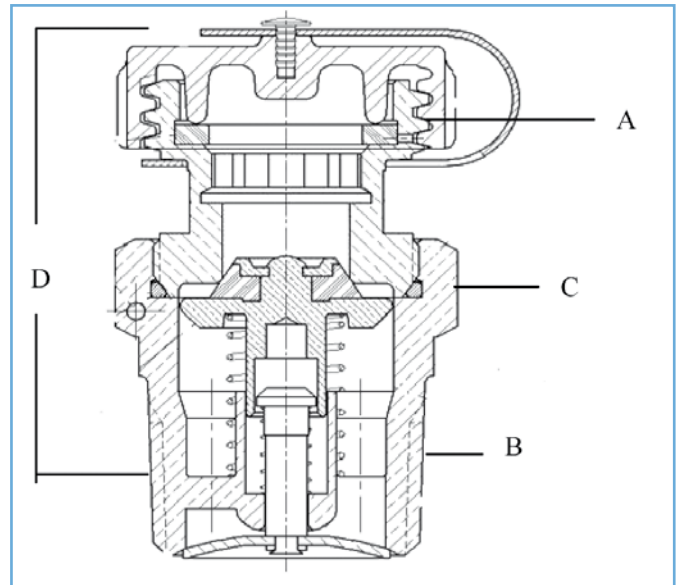
This valve is designed for fast filling of larger motor fuel, stationary storage, and portable containers.

Features

- Double back checks provide added system protection.
- Upper valve assembly can be repaired without removing the valve from the container.
- Both upper and lower checks are spring actuated for quick closure when flow into the valve stops.
- Lanyard incorporated on to cap.

Materials

Upper Body	Brass
Lower Body	Brass
Washer and Seat Disc.	Synthetic Rubber
Springs	Stainless Steel
Cap & Lanyard	Plastic



Ordering Information

Part Number	A ACME Hose Connection	B Tank Connection M.NPT	C Wrench Hex Flats	D Effective Threads	Propane Liquid Capacity at Various Differential Pressures (LPM)		
					1.7 bar	3.5 bar	5 bar
Cap with Lanyard FI7579CT	1-3/4"	1-1/4"	46mm (1-7/8")	68.26mm (2-11/16")	420	590	725

12/11/07