

Vapor Service Valve for LPG Containers

9101 DS Series

Application

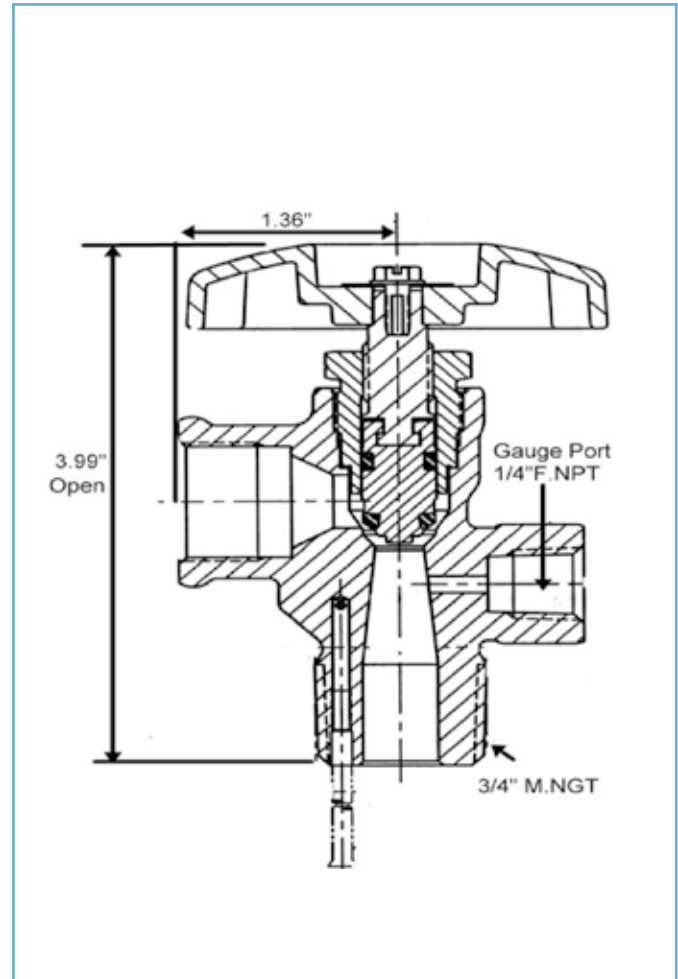
Designed for vapor withdrawal service on medium size LPG containers. This valves does not contain an integral relief valve, it may only be used on containers that have an independent pressure relief valve sufficient for the container's capacity.

Features

- O-Ring stem seal design provides a positive seal.
- Metal to metal back seat provides added protection against leakage while the valve is open.
- Fitted with a fixed liquid level gauge, which permits the operator to quickly determine when the maximum permitted filling level of the container is reached.
- 90 degree angle 1/4" NPT pressure gauge port.

Materials

Body	Forged Brass
Hand wheel	Aluminum Die Cast
Stem	Brass
O-ring	Resilient Synthetic Rubber
Seat Disc	Nylon



Ordering Information

Part Number	Bonnet Style	Container Connection	Service Connection	Pressure Gauge Port Connection	Fixed Liquid Level Vent Valve
9101DS	Standard	3/4" M.NPT	F.POL CGA 510	1/4" F.NPT	Yes

PED approved in accordance with the requirements of Directive 97/23/EC for pressure equipment.



REGO GmbH - Distribution Center Europe
 Industriestrasse 9, D-35075 Gladenbach, Germany
 Phone +49 (0)6462-9147-0, Fax -9147-29
 info@rego-europe.de · www.rego-europe.de