

# One Piece Double-Check Filler Valves for Storage Tanks

## 7879 Series

### Application

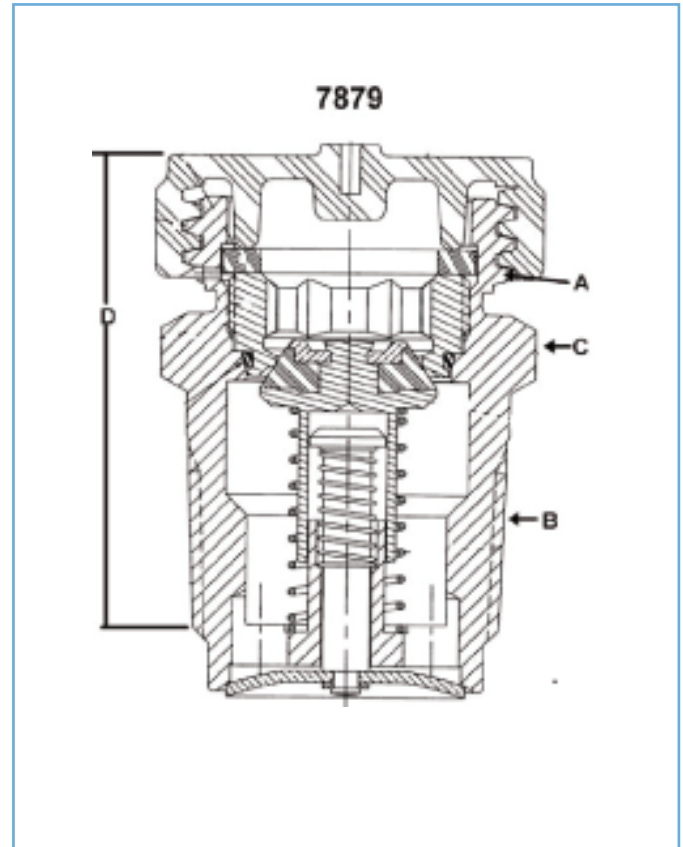
This valve is designed for fast filling of larger motor fuel, stationary storage, and portable containers.

### Features

- One piece body.
- Double back checks provide added system protection.
- Upper valve assembly can be repaired without removing the valve from the container.
- Both upper and lower checks are spring actuated for quick closure when flow into the valve stops.

### Materials

One Piece Body	Brass
Washer and Seat Disc	Synthetic Rubber
Cap	Plastic
Springs	Stainless Steel



### Ordering Information

Part Number		A ACME Hose Connection	B Tank Connection MNPT	C Wrench Hex Flats	D Effektive Threads	Propane Liquid Capacity at Various Differential Pressures (LPM)		
						1.7 bar	3.5 bar	5 bar
Cap Only	Cap with Landyard	44.45mm (1-3/4")	31.75mm (1-1/4")	44.45mm (1-3/4")	68.26mm (2-11/16")	420	590	725
7879	7879C							

PED approved in accordance with the requirements of Directive 97/23/EC for pressure equipment.



**REGO GmbH - Distribution Center Europe**  
 Industriestrasse 9, D-35075 Gladenbach, Germany  
 Phone +49 (0)6462-9147-0, Fax -9147-29  
 info@rego-europe.de · www.rego-europe.de