

Straight and Angle Double-Check Filler Valves with Manual Shutoff

7501, 7502

Application

Designed to provide fast filling of large motor fuel and domestic storage tanks.

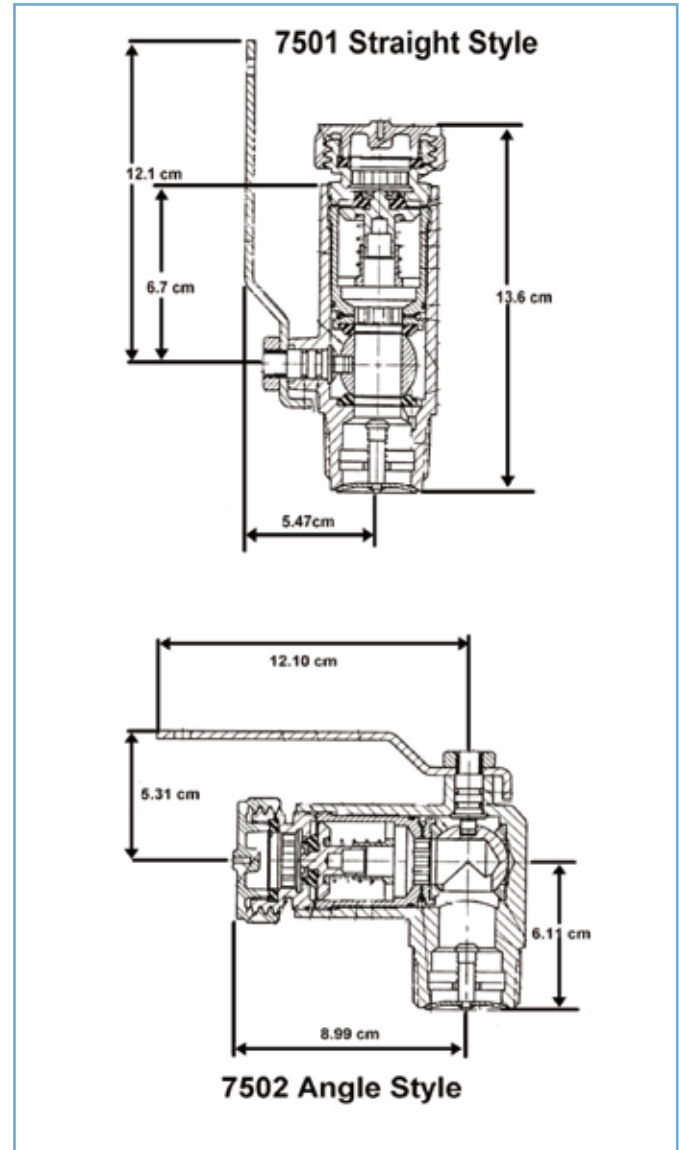
The 7501 and 7502 also offer a manual shutoff feature to in addition to the double back checks incorporated into the design.

Features

- Double back check provides added system protection.
- Upper filler valve assembly can be easily replaced without evacuating the container.
- Manual shutoff provides additional protection when disconnecting the hose coupling from the valve.
- Both checks are spring actuated for quick, precise closure when the flow into the valve stops or reverses. The 7502 body is an Angle design for containers requiring a 90 degree position of the filler connection to the container opening.

Materials

Shutoff Lever	Steel
Shutoff Ball	Stainless Steel
Shutoff Packing	Teflon
Upper Body	Brass
Lower Body	Brass
Springs	Stainless Steel
Washer and Seat Disc	Synthetic Rubber
Cap	Plastic



Ordering Information

Part Number	Tank Connection M.NPT	Acme Hose Connection	Propane Liquid Capacity at 1 bar differential pressure litres / minute	Propane Liquid Capacity at 1.7 bar differential pressure litres / minute	Propane Liquid Capacity at 3.7 bar differential pressure litres / minute
7501 Straight Through	1 1/4"	1 3/4"	233	344	473
7501 Angle	1 1/4"	1 3/4"	233	344	473

PED approved in accordance with the requirements of Directive 97/23/EC for pressure equipment.



REGO GmbH - Distribution Center Europe
 Industriestrasse 9, D-35075 Gladenbach, Germany
 Phone +49 (0)6462-9147-0, Fax -9147-29
 info@rego-europe.de · www.rego-europe.de