

Check-Lock Adapter for Omega VL 25 Liquid Withdrawal Valve

7572C-14C

Application

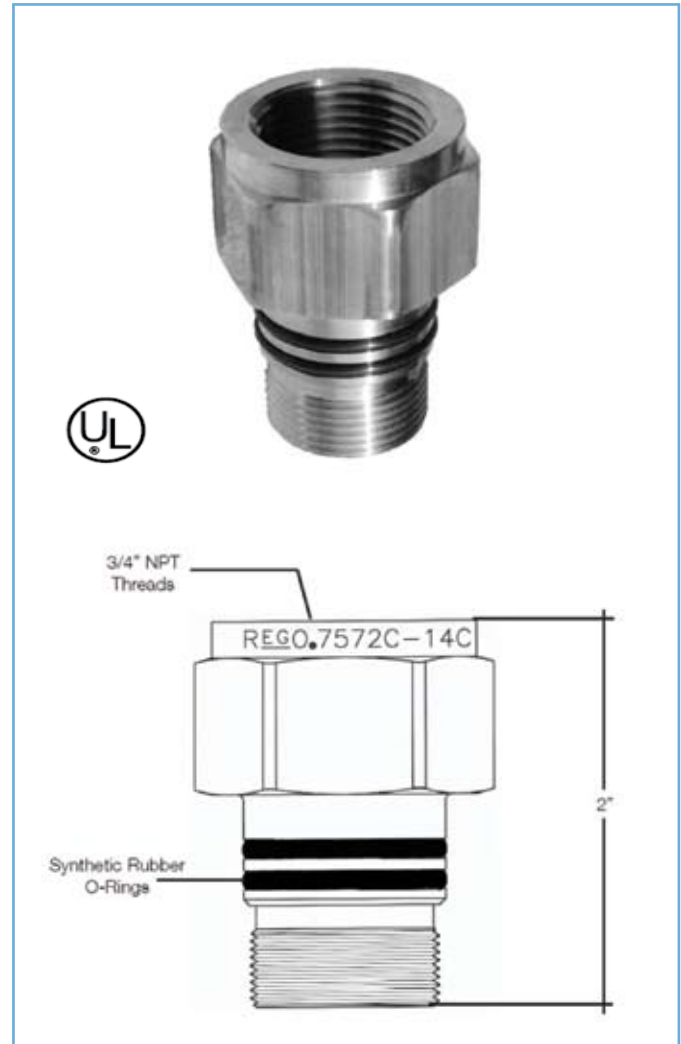
The Rego® 7572C-14C Check-Lock Adapter is designed to provide a convenient means of connecting the Rego® 7550P or 9300H transfer Valves to the Omega VL25 liquid withdrawal valve.

Features

- Double O-Ring construction provides a gas tight seal.
- 3/4" NPT inlet threads ensure a tight, leak-free connection with the Omega VL25 liquid withdrawal valve.
- UL listed

Materials

Body	Brass
O-Rings	Synthetic Rubber



Ordering Information

Adapter Number	Inlet Connection	Outlet Connection	Wrench Hex Flats
7572C-14C	3/4" M.NPT	M 25x1.5	1 3/8"

PED approved in accordance with the requirements of Directive 97/23/EC for pressure equipment.



REGO GmbH - Distribution Center Europe
 Industriestrasse 9, D-35075 Gladenbach, Germany
 Phone +49 (0)6462-9147-0, Fax -9147-29
 info@rego-europe.de · www.rego-europe.de