

Rego® Compact Second Stage Regulators

LV3403B4

Application

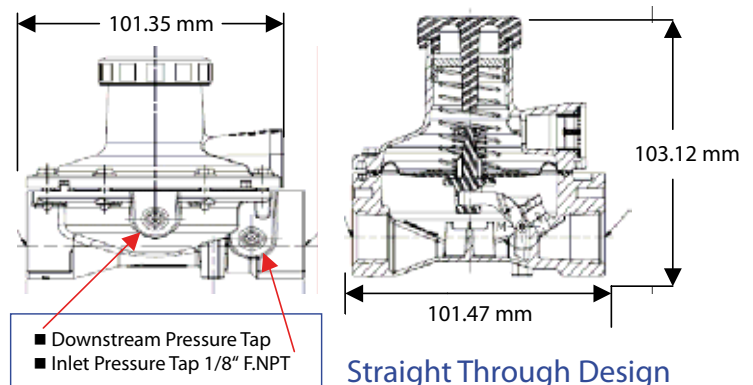
The LV3403B4 is designed to reduce first stage pressure of 0.35 to 1.5 bar down to burner pressure normally 28 mbar. Designed as a second stage regulator for smaller applications with flow requirements up to 9.6 kg/h, they are ideal for homes, mobile homes, and cottages.

Features

- Large vent helps prevent vent blockage, it is tapped for 3/8" F.NPT for vent piping.
- With 1.03 bar inlet pressure, the regulator is designed to not pass more than .14 bar downstream with the seat disc removed.
- Incorporates a integral relief valve
- Unique bonnet vent profile minimizes vent freeze over when properly installed.
- Design provides for good flow regulation at both high and low container pressures.
- Compact design saves space.
- Built in pressure taps 1/8" F.NPT on both regulator inlet and downstream side of the regulator. Plugs can be removed with a 3/16" hex Allen wrench.
- Select brown finish.

Materials

Body & Bonnet	Die Cast Zinc
Nozzle Orifice	Brass
Spring	Steel
Valve Seat Disc	Resilient Rubber
Diaphragm	Integrated Fabric & Synthetic Rubber



Ordering Information

Part Number	Inlet Connection	Outlet Connection	Orifice Size	Factory Delivery Pressure	Adjustment Range	Bonnet Vent Position	Approximate Vapour Capacity
LV3403B4	1/2" F.NPT	1/2" F.NPT	6,3 mm	28 mbar	23 - 33 mbar	Inlet	9,6 kg/h
LV3403B4V3	1/2" F.NPT	1/2" F.NPT	6,3 mm	28 mbar	23 - 33 mbar	3 o'clock	9,6 kg/h
LV3403B4V0	1/2" F.NPT	1/2" F.NPT	6,3 mm	28 mbar	23 - 33 mbar	Outlet	9,6 kg/h
LV3403B4V9	1/2" F.NPT	1/2" F.NPT	6,3 mm	28 mbar	23 - 33 mbar	9 o'clock	9,6 kg/h



Are in accordance with the requirements of Directive 97/23/EC for pressure equipment. But being pressure equipment equal or below the limits in section 1.1, 1.2 and 1.3 of Article 3 are stated to be designed and manufactured with the sound engineering practice of a Member State in order to ensure safe use. LV3403B series are UL approved.



REGO GmbH - Distribution Center Europe
 Industriestrasse 9, D-35075 Gladenbach, Germany
 Phone +49 (0)6462-9147-0, Fax -9147-29
 info@rego-europe.de · www.rego-europe.de