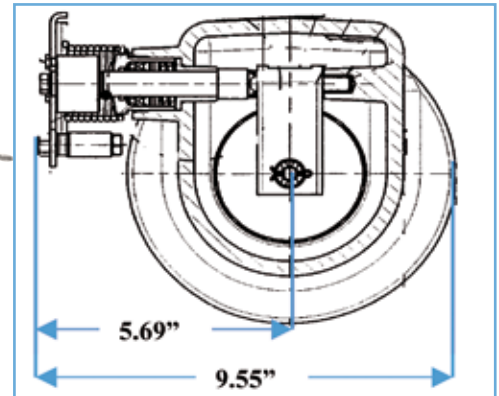


# PU/182 – New 3" Swing-Check ESV for Bulk Plants 6024 and AA6024

PU/182

## Application

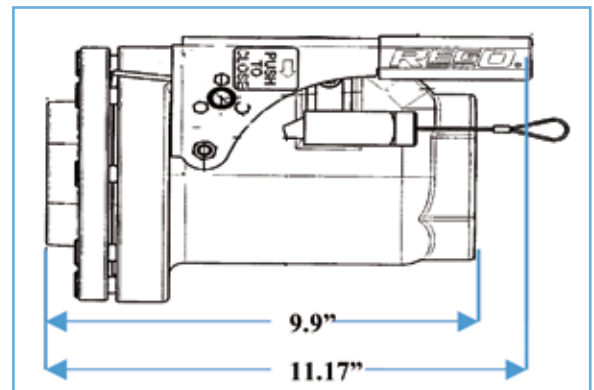
Designed for installation in liquid or vapor transfer lines at LP-Gas or Anhydrous Ammonia bulk plants to provide for quick shut-off of liquid or vapor flow in the event of an accidental pull-away, line break, or hose rupture.



## Features

Meets NFPA 58 and UL requirements

- Fusible Element is located in the thermal fuse assembly, which acts at the latch open and close trigger. When exposed to fire, the element melts at 212 degrees F. allowing the shaft to return to the closed position.
- Valve can be opened by use of operating lever, if a pneumatic actuator is used it will open with the actuator.
- Valve can be closed by remote cable or pneumatic actuator.
- Valve can be closed by simply pushing the operating lever down; it is not necessary to trip the close trigger.



## Sturdy Rugged Construction

- Will withstand hydraulic shock of sudden closings, piping strains, and temperature variations.
- Valve has only two moving parts, stem and close/thermal trigger.
- 6024 is UL listed for use in LP-Gas as an emergency and operating shut-off valve.
- AA6024 is UL listed for use in Anhydrous Ammonia as an emergency and operating shut-off valve.
- Stem seals are spring loaded for leak free performance at low temperatures/pressures.
- Seat is metal protected to minimize leakage in case direct fire impingement.
- **Straight through design allows for a liquid flow of 400 GPM (LPG) with only a 1 PSIG drop.**
- Quick closing regardless if the pump is running or not.

## Materials

|           |                                    |
|-----------|------------------------------------|
| Body      | Ductile Iron Cad Plated            |
| Stem      | Stainless Steel                    |
| Seat      | Stainless Steel                    |
| Seat Disc | High Temperature Viton (6024 only) |
| Seat Disc | Synthetic Rubber (AA6024 only)     |
| Springs   | Stainless Steel                    |
| Gaskets   | Teflon                             |

## Ordering Information

| Part Number | For Use With: | Inlet and Outlet Connections | Liquid Flow Capacity at 10 PSIG Drop (GPM) |
|-------------|---------------|------------------------------|--|
| 6024        | LP-Gas        | 3"F-NPT                      | 1,260 (LP-Gas)                             |
| AA6024      | NH3           | 3"F-NPT                      | 1,130 (NH3)                                |



**REGO GmbH - Distribution Center Europe**  
 Industriestrasse 9, D-35075 Gladenbach, Germany  
 Phone +49 (0)6462-9147-0, Fax -9147-29  
 info@rego-europe.de · www.rego-europe.de