

# Y7520DT Vapor Service Multivalve®

Y7520DT

## Application

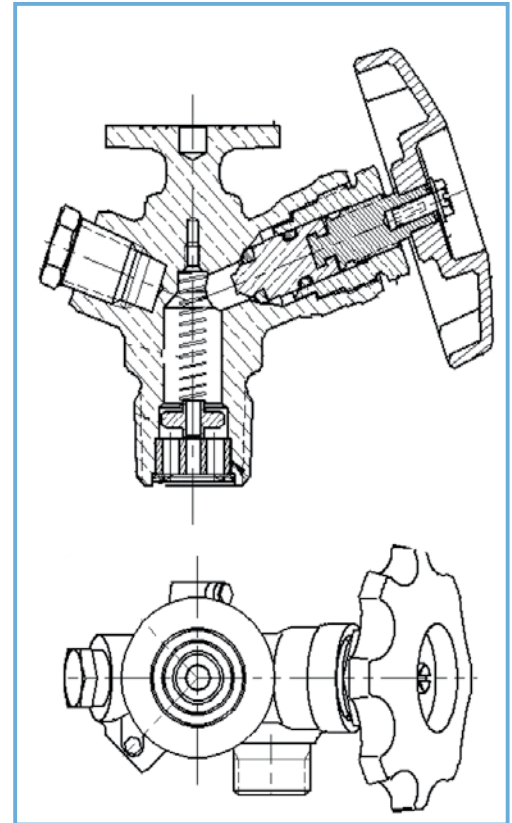
These compact Multivalves® are suited for vapor withdrawal of containers where compact groupings of components are necessary. Separate filler valves and pressure relief valves are required.

## Features

- Combines service valve with a fixed liquid level gauge, optional manometer, includes regulatory pressure test port.
- Low profile design allows the use of small domes.
- Integral excess flow valve for vapor service outlet.

## Materials

Body	Forged Brass
Handwheel	Aluminum Die Cast
Valve Stem	Brass
O-Ring	Resilient Rubber
Seta Disc (shutoff valve)	Nylon



## Ordering Information

Part Number	Container Connection	Service Connection	Excess Flow Closing Range	Fixed Liquid Level Vent Valve Style	Dip tube Length
Y7520DT	3/4" M.NPTF	W20 X1-1/4" LH Thread (Whitworth)	37.5 to 45.0 KG/HR @ 2 bar	Needle Valve with retaining screw	*

\* Dip tubes made to order, specify the required length when ordering. 12/11/07



**REGO GmbH - Distribution Center Europe**  
 Industriestrasse 9, D-35075 Gladenbach, Germany  
 Phone +49 (0)6462-9147-0, Fax -9147-29  
 info@rego-europe.de · www.rego-europe.de