

# Extended Body Double-Check Filler Valves for Under Ground Storage Tanks

UF7579CT

## Application

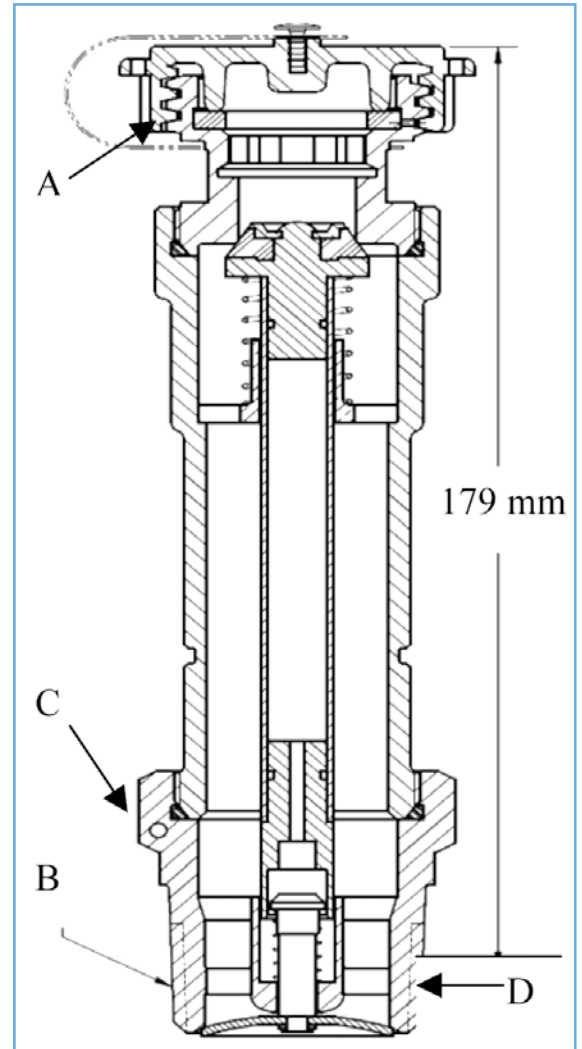
This valve is designed for fast filling of underground stationary storage containers.

## Features

- Extended upper body for easy access when filling underground containers.
- Double back checks provide added system protection.
- Upper valve assembly can be repaired without removing the valve from the container.
- Both upper and lower checks are spring actuated for quick closure when flow into the valve stops.

## Materials

Body	Brass
Extension	Brass
Washer and Seat Disc	Synthetic Rubber
Cap	Plastic
Springs	Stainless Steel



## Ordering Information

Part Number	A ACME Hose Connection	B Tank Con- nection MNPT	C Wrench Hex Flats	D Effective Threads	Propane Liquid Capacity at Various Differential Pressures (LPM)		
					1.7 bar	3.5 bar	5 bar
Cap with Lanyard UF7579CT	44.45mm (1-3/4")	31.75mm (1-1/4")	47.62mm (1-7/8")	68.26mm (2-11/16")	420	590	725

10/1/2007