

One Piece Double-Check Filler Valves for Storage Tanks

7879 Series

Application

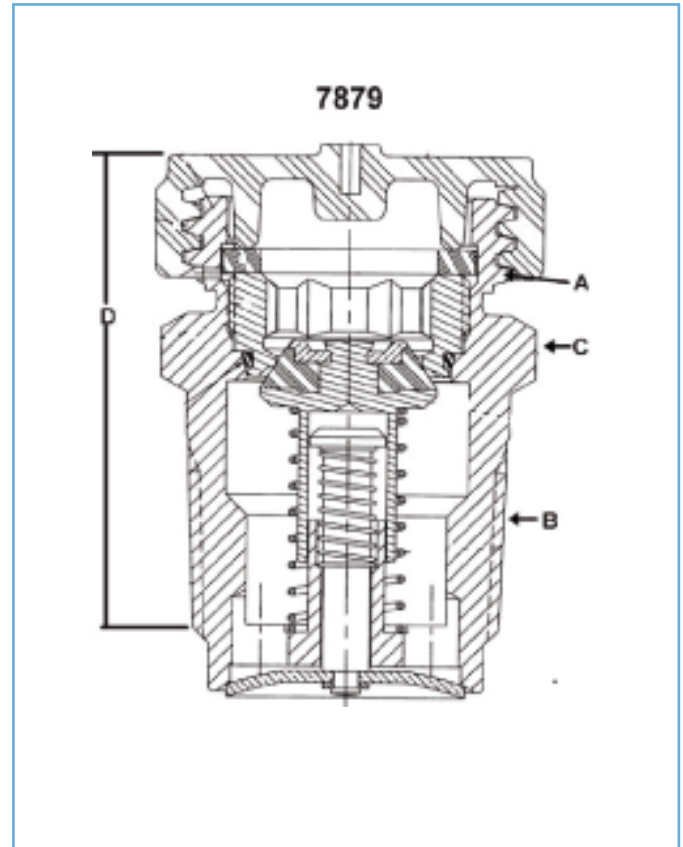
This valve is designed for fast filling of larger motor fuel, stationary storage, and portable containers.

Features

- One piece body.
- Double back checks provide added system protection.
- Upper valve assembly can be repaired without removing the valve from the container.
- Both upper and lower checks are spring actuated for quick closure when flow into the valve stops.

Materials

One Piece Body	Brass
Washer and Seat Disc	Synthetic Rubber
Cap	Plastic
Springs	Stainless Steel



Ordering Information

Part Number		A ACME Hose Connection	B Tank Connection MNPT	C Wrench Hex Flats	D Effektive Threads	Propane Liquid Capacity at Various Differential Pressures (LPM)		
						1.7 bar	3.5 bar	5 bar
Cap Only	Cap with Landyard	44.45mm (1-3/4")	31.75mm (1-1/4")	44.45mm (1-3/4")	68.26mm (2-11/16")	420	590	725
7879	7879C							

PED approved in accordance with the requirements of Directive 97/23/EC for pressure equipment.



REGO GmbH - Distribution Center Europe
 Industriestrasse 9, D-35075 Gladenbach, Germany
 Phone +49 (0)6462-9147-0, Fax -9147-29
 info@rego-europe.de · www.rego-europe.de